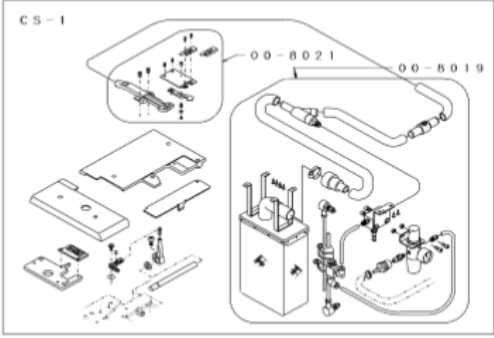
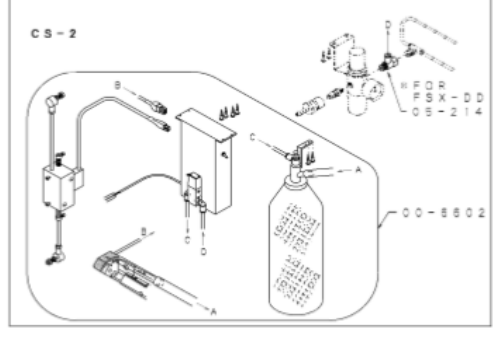
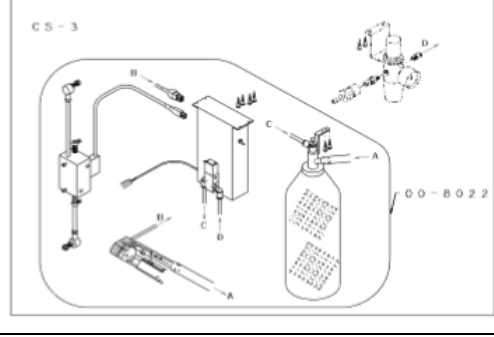
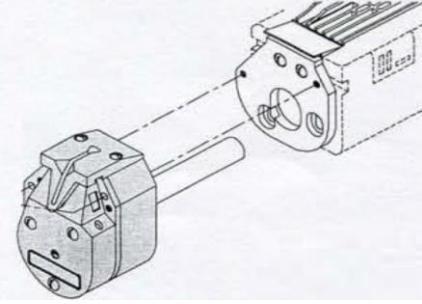


■ CS series (Chain cutter)

Discription	Model	Applicable sewing machine	illustration	For Servo	For Clatch
CS series Chain cutter	CS-1	NW/NL (NL5801, NW8842-1, 8804)		○	○
	CS-2	NFS		○	×
	CS-3	SX		○	○
	CS-4	SQ7803LR/PF-HB/AF/CS-4/DD/PT		Only for SQ7803LR/PF-HB/AF/CS-4/DD/PT	×

CS-4 for SQ must be attached in the beginning. (Factory standard option for the above model)