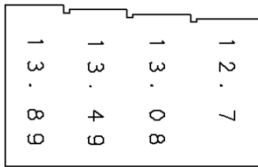


# NFS/FSX series Accessories

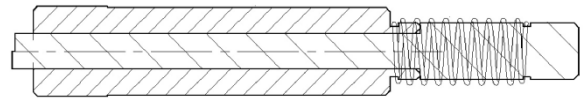
- Gauge adjustment jig

※Please refer to the instruction for detailed explanation

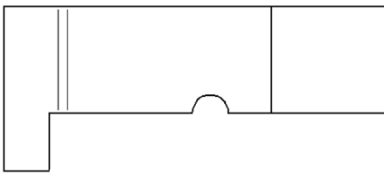
Parts # to order : 16-6601  
For needle height



Parts # to order : 16-6603  
For looper front-back stroke



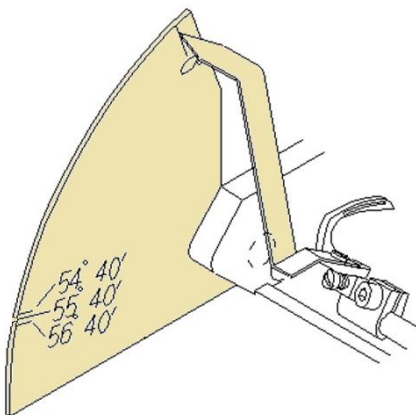
Parts # to order : 16-6604  
For looper angle



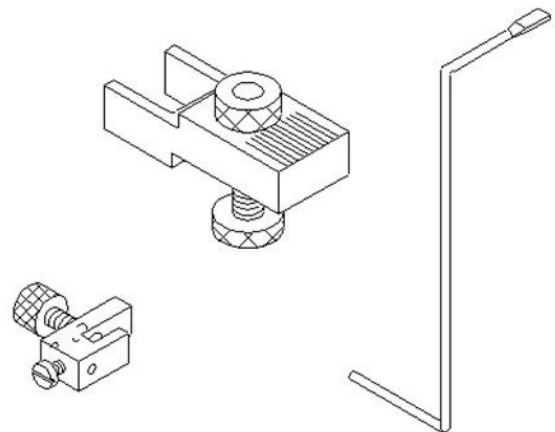
Parts # to order : 16-6609  
For amount of pull stroke of looper



Parts # to order : 16-6605  
For looper left-right stroke



Parts # to order : 16-6611  
For needle & looper timing



Parts # : 16-6612  
For needle clamp torque

