

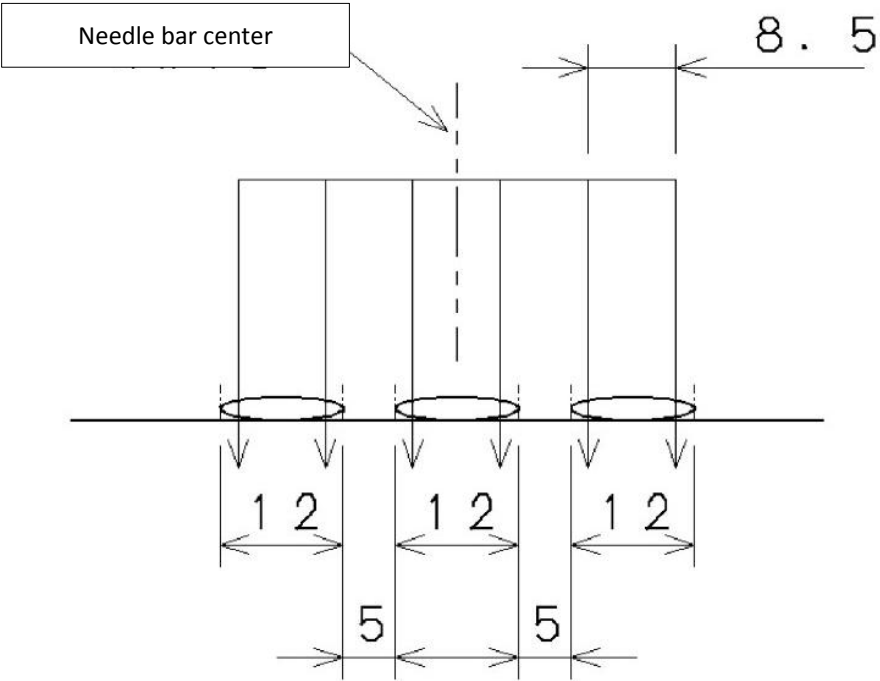
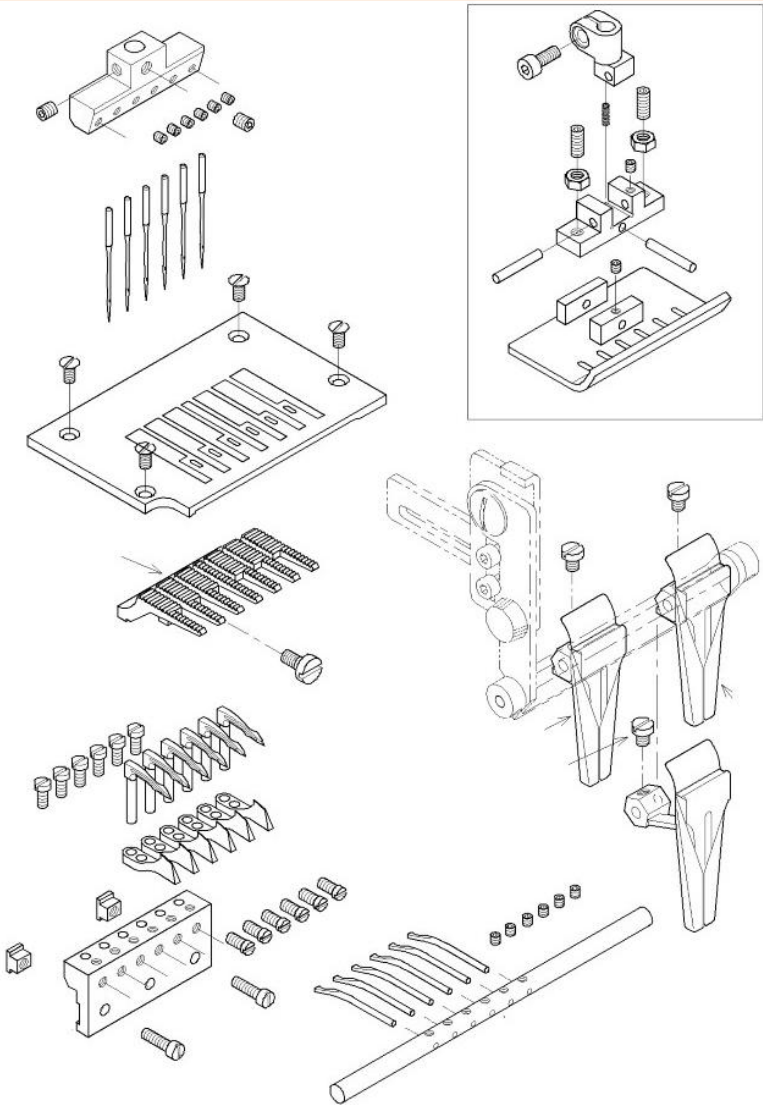
# DFB gauge information

Model name	Distance between needles (mm)	Needle total width (Inch)	Needle total width (mm)	Max needle usage	Thread tension	Number of equipped loopers
DFB1404P	8.5 (1/3")	1	25.4	4	4X4	4
DFB1404P	6.4 (1/4")	3/4	19.1	4	4X4	4
DFB1404P	9.5 (3/8")	1+ 1/8	28.6	4	4X4	4
DFB1404P	10.6 (5/12")	1+ 1/4	31.8	4	4X4	4
DFB1404P	12.7 (1/2")	1+ 1/2	38.1	4	4X4	4
DFB1404P	6.4, 12.7, 6.4 (1/4", 1/2", 1/4")	1	25.4	4	4X4	4
DFB1404P	6.4, 19.1, 6.4 (1/4", 3/4", 1/4")	1+ 1/4	25.4	4	4X4	4
DFB1404PSF	6.4, 19.1, 6.4 (1/4", 3/4", 1/4")	1+ 1/4	31.8	4	4X4	4
DFB1404PSF	4.76 19.1 4.76 (3/16", 3/4", 3/16")	1 + 1/8	28.6	4	4X4	4
DFB1404PSF	4.76 25.4 4.76 (3/16", 1", 3/16")	2 + 3/4	34.9	4	4X4	4
DFB1404PSF	6.4, 25.4, 6.4 (1/4", 1", 1/4")	1+ 1/2	38.1	4	4X4	4
DFB1406P	4.76 (3/16")	15/16	23.8	6	6X6	6
DFB1406P	6.4 (1/4")	1+ 1/4	31.8	6	6X6	6
DFB1406P	8.5 (1/3")	5/3	42.5	6	6X6	6
DFB1406P	9.5 (3/8")	1 + 7/8	47.6	6	6X6	6
DFB1406PL	6.4 (1/4")	1+ 1/4	31.8	6	6X6	6
DFB1406PL	8.5 (1/3")	1/3	42.5	6	6X6	6
DFB1406PL	9.5 (3/8")	1 + 7/8	47.6	6	6X6	6
DFB1408P	6.4(1/4")	1 + 3/4	44.5	8	12X12	8
DFB1409P	6.4(1/4")	2	50.8	9	12X12	9
DFB1411PSF	※1	1 + 1/2	38.1	4	4X4	4
DFB1411P-XP	※1	1 + 1/2	38.1	4	4X4	4
DFB1412P	6.4 (1/4")	2 + 3/4	69.9	4	12X12	12
DFB1412P	5.0		55.0	12	12X12	12
DFB1412P	3.2 (1/8")	1 + 3/8	34.9	12	12X12	12
DFB1412PL	6.4 (1/4")	2 + 3/4	69.9	12	12X12	12
DFB1412PL	4.76 (3/16")	33/16	52.4	12	12X12	12
DFB1418P	※1	2 + 1/2	63.5	6	-	6
DFB1421P	3.2	1/8	38.1	11	12X12	11

※ 1 Please refer to the pictures

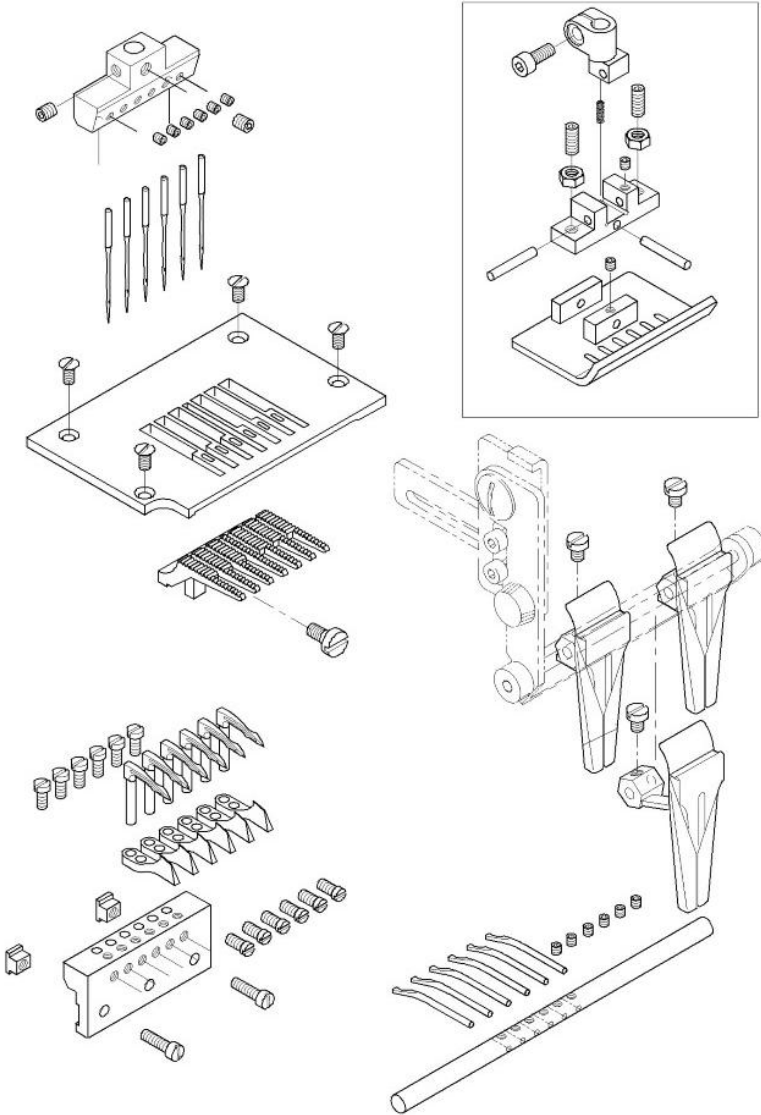
※ For PMD / PE / PG models please refer to standard models

# DFB1406PL 1/3"

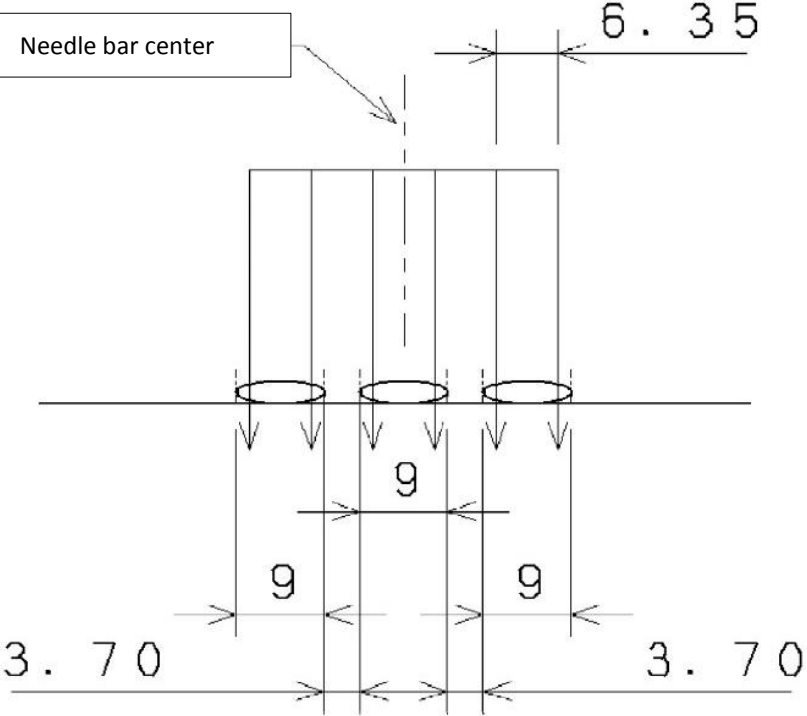


Measurements are in mm

# DFB1406PL 1/4"

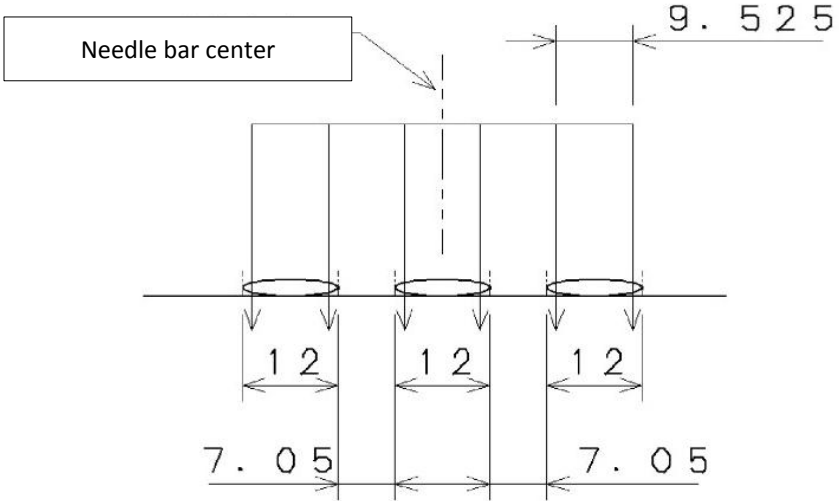
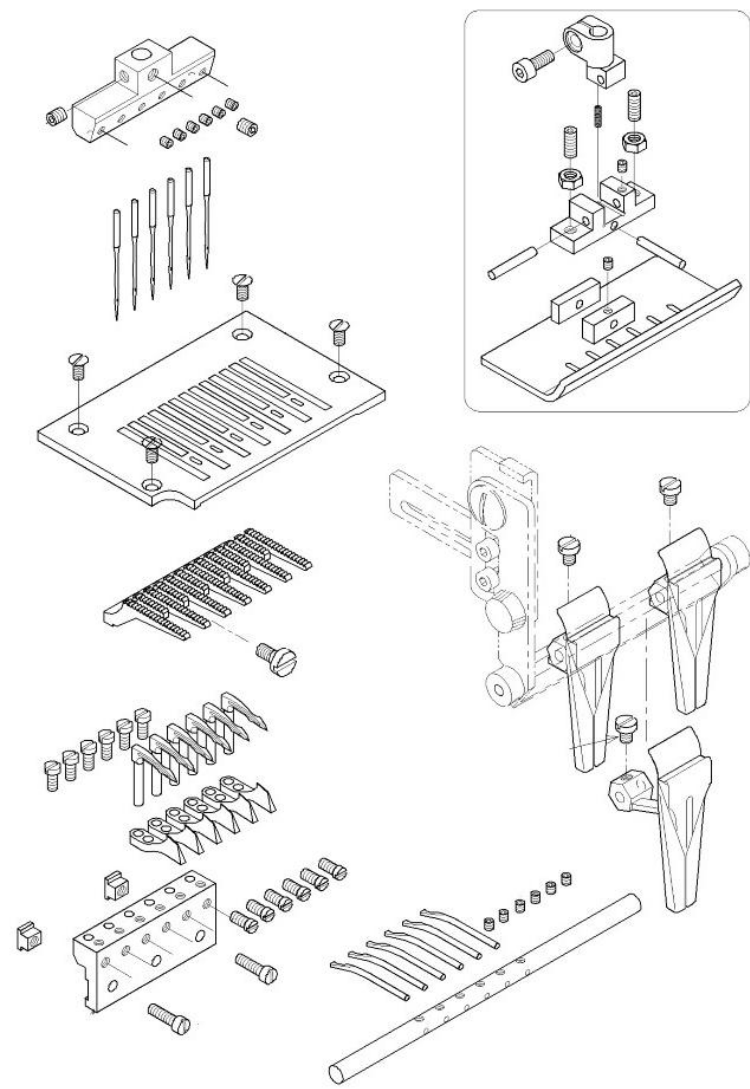


Needle bar center



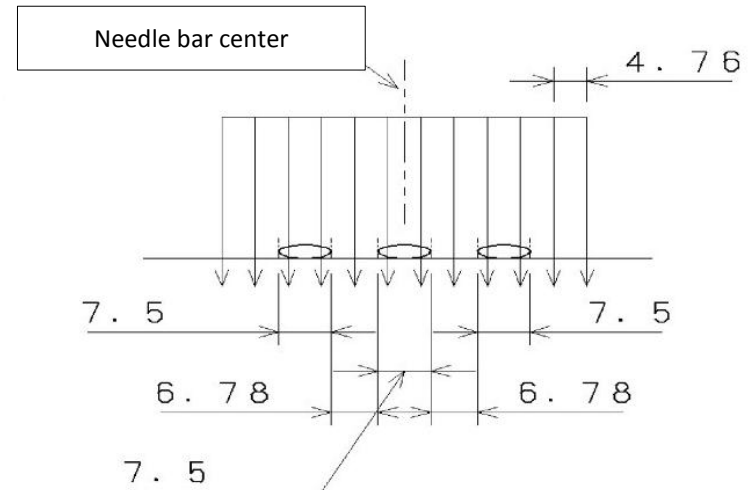
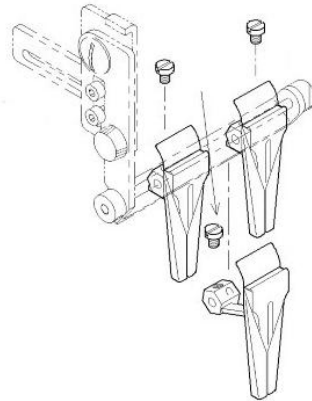
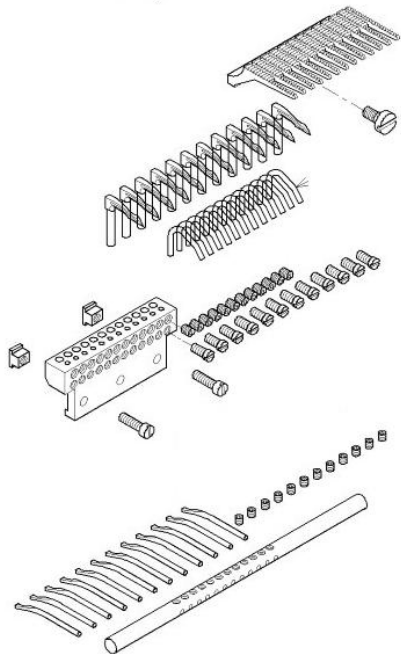
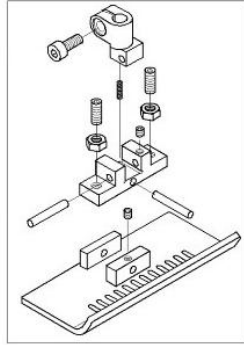
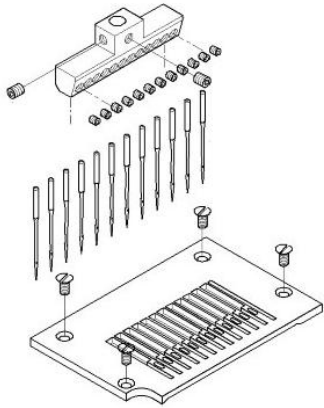
Measurements are in mm

# DFB1406PL 3/8"



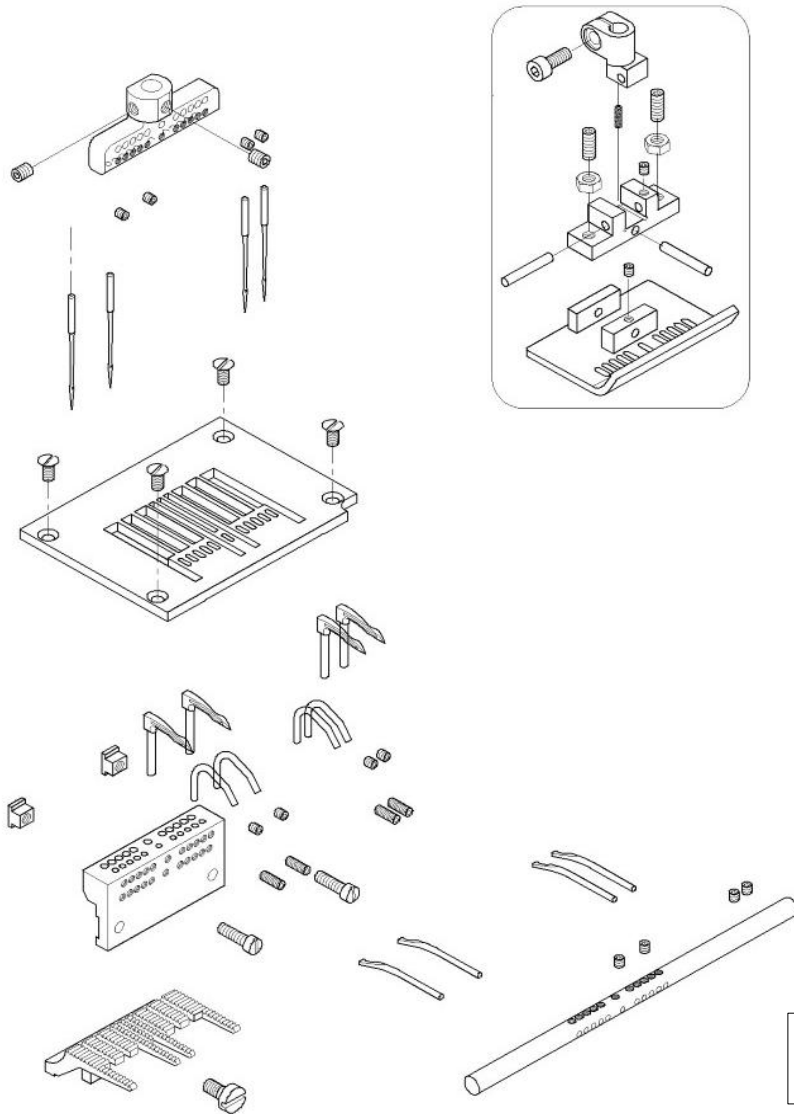
Measurements are in mm

# DFB1412PL 3/16"



Measurements are in mm

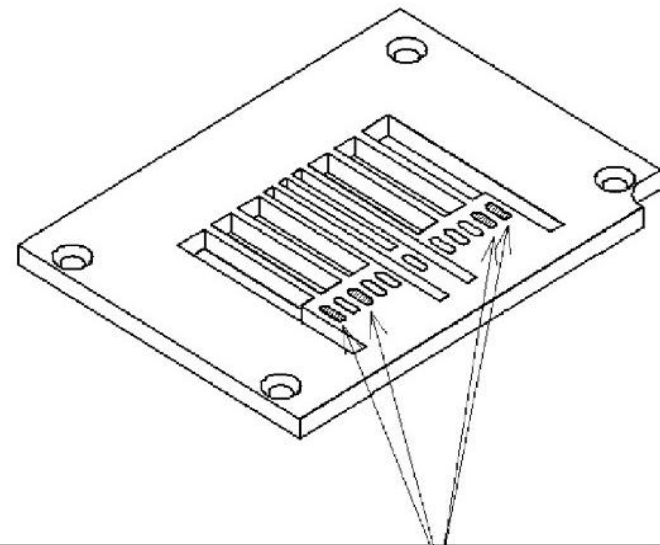
# DFB1411PSF



Needle hole position

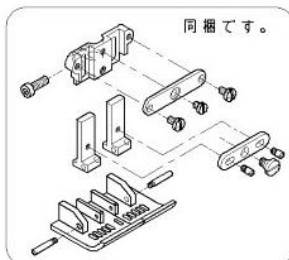
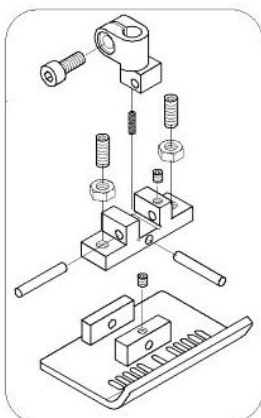
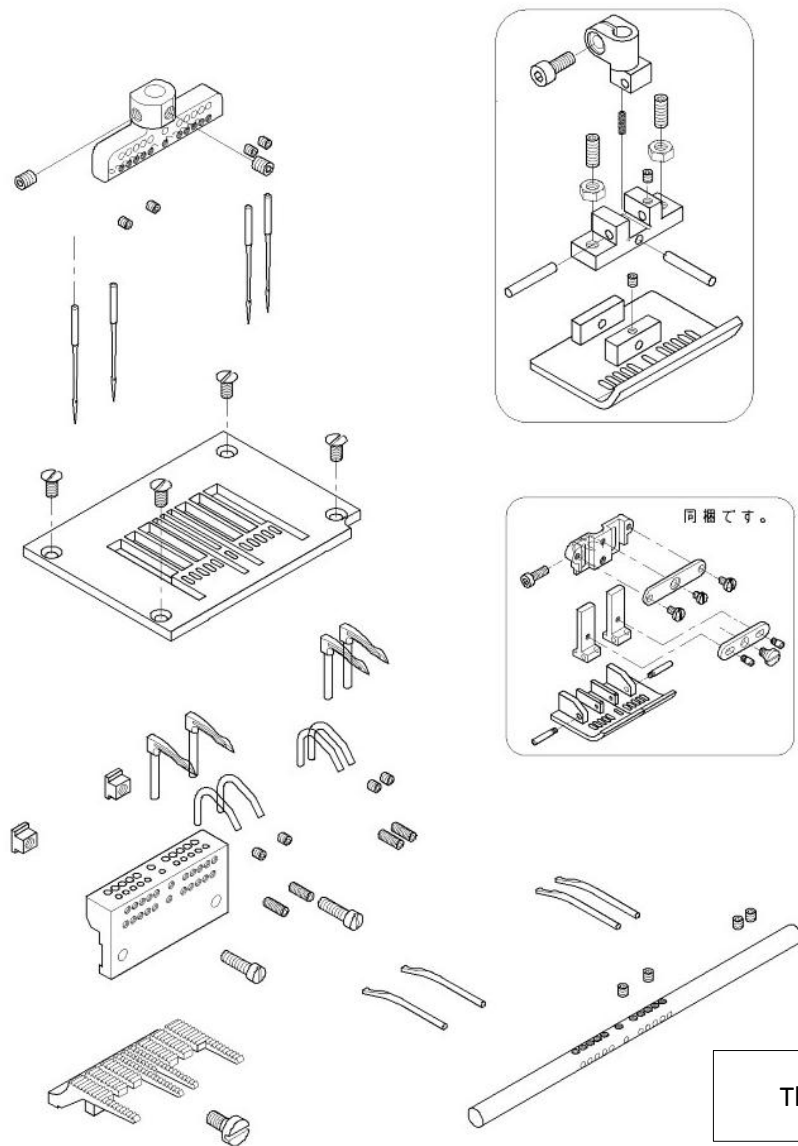
1/8" X 5 \_1/4" \_1/4" \_1/8" X 5

※Maximum needle usage is four



The black marks in the needle plate show factory needles set up

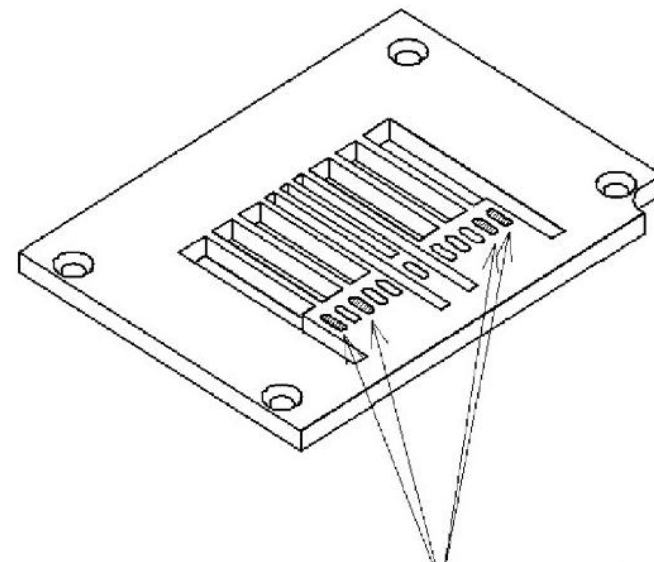
# DFB1411PSF



## Needle hole position

1/8" X 5 \_1/4" \_1/4" \_1/8" X 5

- ※ Maximum needle usage is four
- ※ Additional presser foot is included



The black marks in the needle plate show needles set up from the factory

# DFB1418P

## Needle hole position

1/8" X 4 1/4" 1/8" X 3 1/4" \_  
1/8" X 4 1/4" 1/8" X 3

- ※ Maximum needle usage is six
- ※ The black marks in the needle plate show needles set up from the factory

