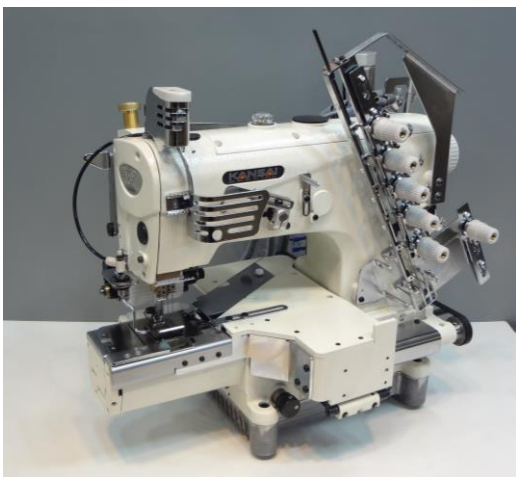
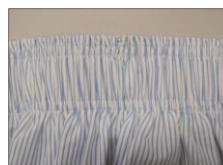


4 needle chain stitch machine

NR9904GU-UTA



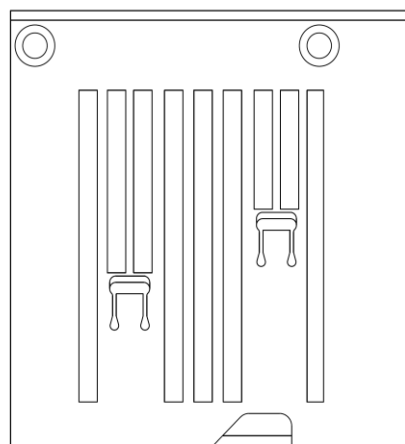
4 needle, cylinder bed, double chain stitch machine for attaching elastic



Features



Suitable for attaching elastic operation with double flatlock seam on men's underwear



Making 2 line of flat lock stitch in one operation

Model Name	Application	Material	Needle	No. of threads	Needle gauge	Needle bar stroke	Stitch length	Diff.Feed ratio	Presser foot lift	Maximum Speed
NR9904GU NR9904GU-UTA	Sports ware. Trunks etc	light to medium	TV x 5 14 TV x 5 90		5 - 9 - 5 5 - 19 - 5	33mm	7-16 stitch/inch	N/A	8mm	4500 r.p.m